



ANCHOR PLATE KIT INSTALLATION INSTRUCTIONS

for Bearicuda Metal Bear Resistant Trash Receptacles

ANCHORING INSTRUCTIONS:

The Bear Resistant Trash Receptacles are completely factory assembled and shipped as single units. The 36 Gal. Plastic Liners and Concrete Anchor Kits are shipped inside the unit.

IMPORTANT: The Bear Resistant Receptacles must be anchored to concrete to keep bears out. See Fig. 3 on Page 2 for the recommended size of concrete footing.

1. Carefully unpackage the Receptacle and position it on the concrete footing.

2. Release the Door Latches to open the front doors on the Receptacle. The Decal on the Trigger Release Cover on the Right-hand Door shows how to open that door.

Insert a hand into the Hatch Trigger Release Cover on the Right-hand Door, push in on the Trigger Release inside the Cover, and pull the Door outwards (see Fig. 1).

A Decal located on the upper left corner of the inside of the just opened Right-hand Door shows how to unlatch the Left-Hand Door.

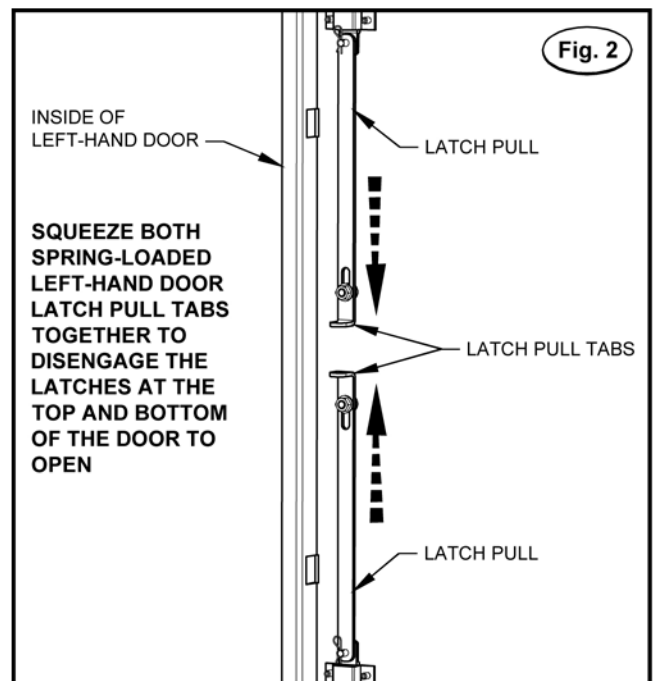
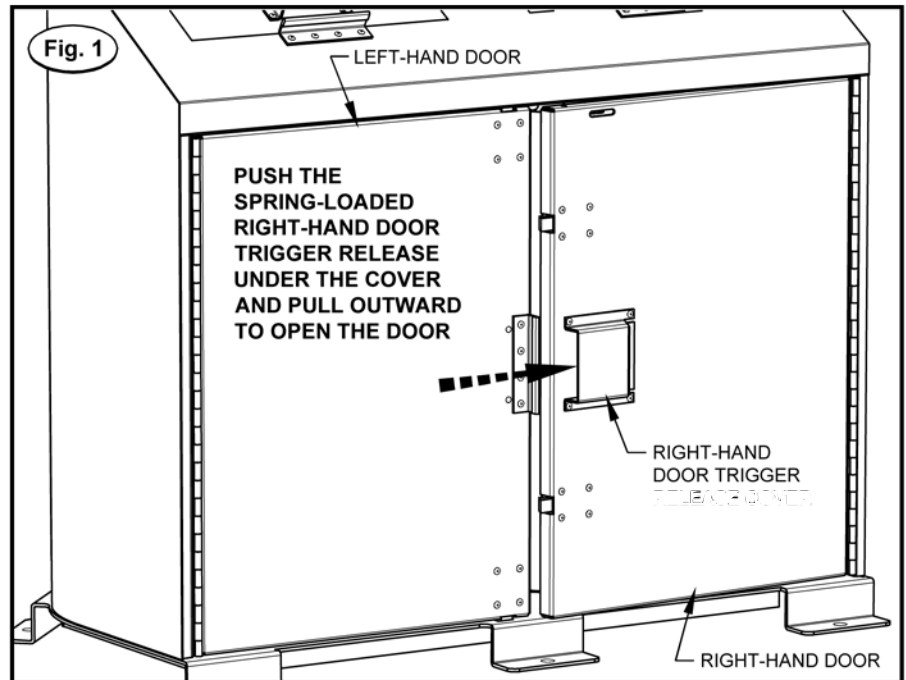
Reach around to the inside of the Left-hand Door and locate the (2) Latch Pull Tabs at the middle of the near edge of the Door (see Fig. 2). Use your thumb and forefinger to squeeze the Tabs together to disengage the Latch Pulls from the slots in the top and bottom of the

Receptacle frame and pull the Door outwards.

3. Locate the Plastic Liner containing the Concrete Anchor Kit. Remove the Anchor Kit bag, replace the Liner, and close the door.

4. Drill the anchor holes in the concrete. Center the drill bit as accurately as possible. Anchoring Hole in each of the Anchor Plates.

5. **Drill the hole as nearly vertical as possible. Blow the hole clean with compressed air.** The Screws are designed to cut tight thread grooves into the concrete to anchor the Screws.



6. Insert the Anchor Screws through the Anchor Holes in the Anchor Plates and into the holes in the concrete (see Fig. 4).

Use a **wrench, ratchet wrench, or cordless power tool with a Hex Socket** to tighten the Anchor into the concrete. Tighten until **the hex washer head of the Screw contacts the Anchor Plate**.

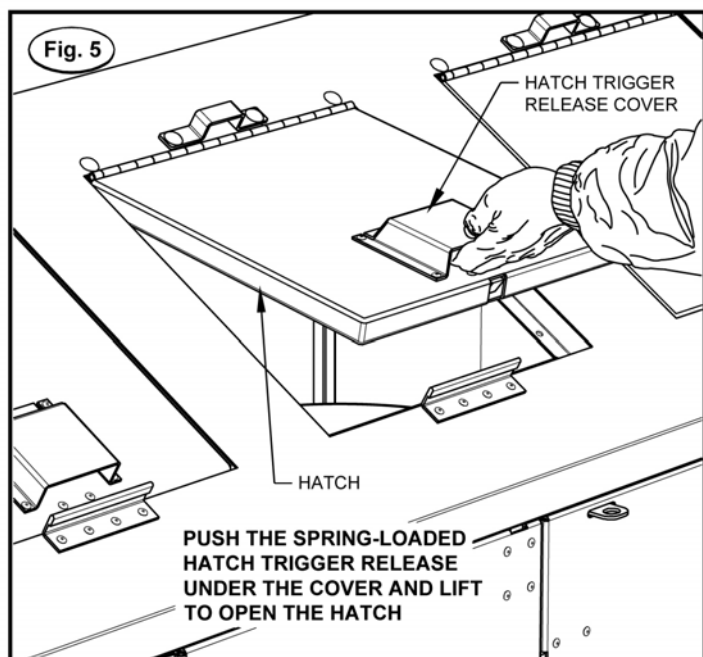
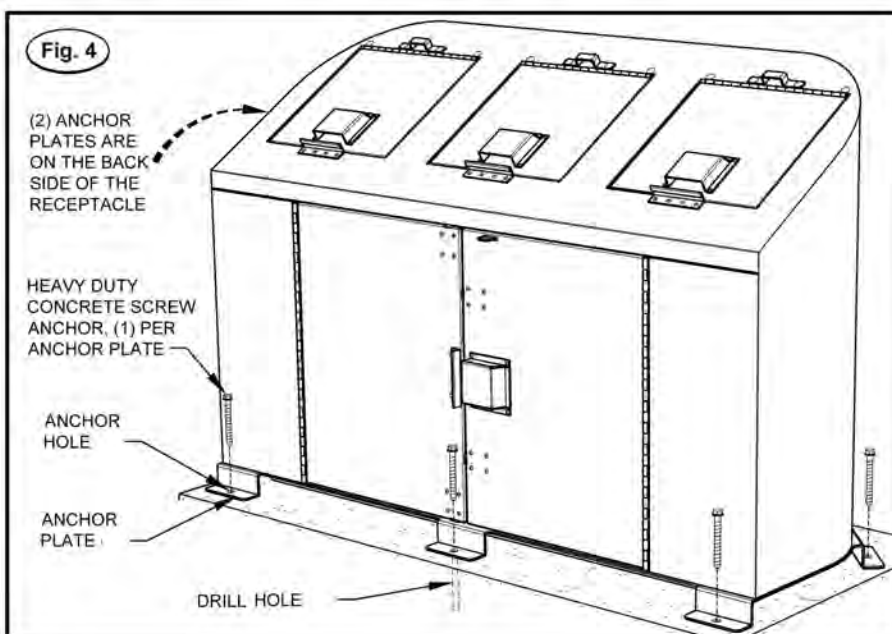
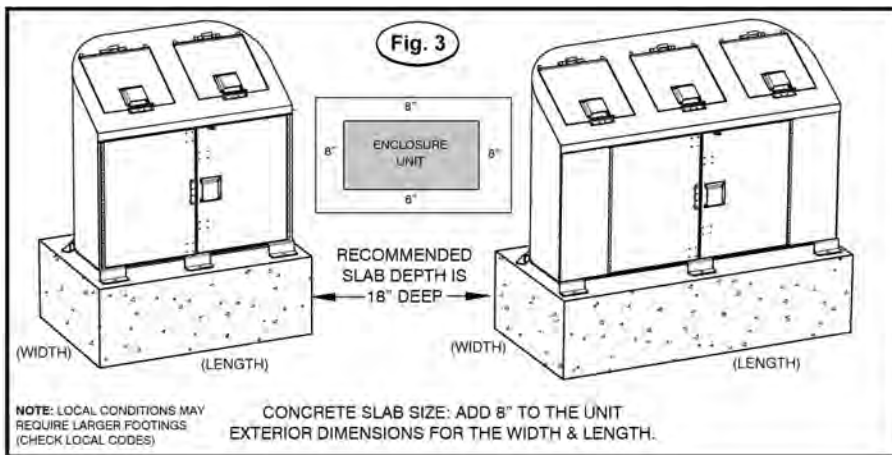
USE of the BEAR RESISTANT RECEPTACLE FEATURES:

To open a Hatch to deposit trash or recycling materials, insert a hand with palm up into the Hatch Trigger Release Cover and push the Trigger Release (see Fig. 5). Use the Cover as a handle to lift the Hatch open. The decal on the Trigger Release Cover also gives these instructions.

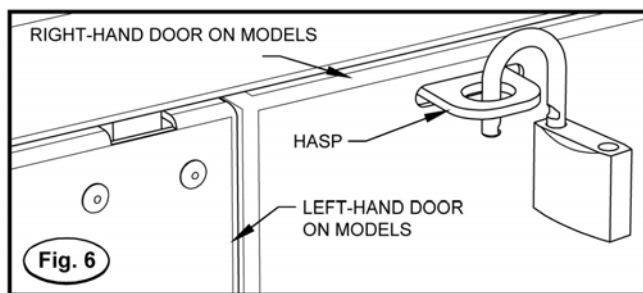
NOTE: If Recycling Plates and Recycling Decals are ordered with the Bear Resistant Receptacles, they are factory installed.

To empty the Plastic Liners, open the Front Door as described in Step 2 on Page 1 and remove the Liners (see Fig. 1 and Fig. 2, Page 1). Replace the empty Liners and firmly shut the Door. The system of four latches keeps the Doors tightly closed and secure.

NOTE: Instructions pertain to Silverback and Ranger series. Concrete slab fig 4 pertains to all metal enclosures and storage lockers.



The Hasp that projects from the slot at the top of the Right-hand Door has a hole to accommodate a Padlock for further security (see Fig. 6).



Warning: Some metal items may contain components or synthetics known to the State of California to cause cancer, birth defects or reproductive harm. These elements include but are not limited to Chromium, Cobalt, Lead and Nickel. For more information go to www.P65Warnings.ca.gov.